

mont marte

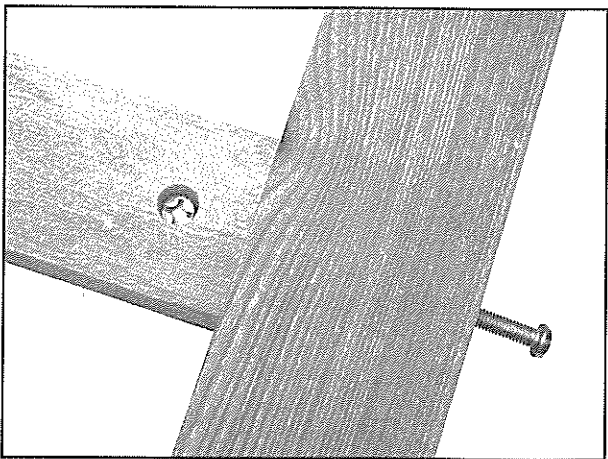
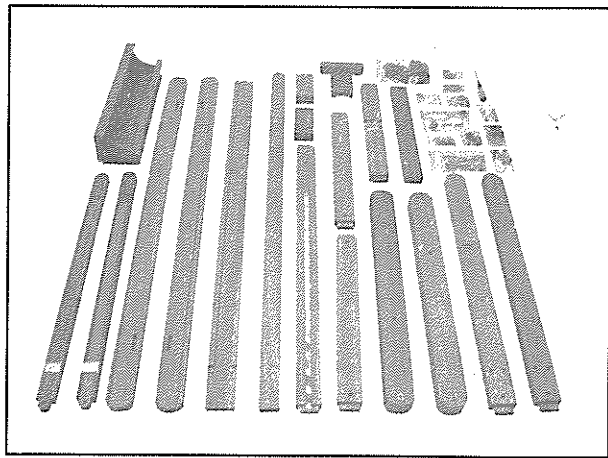
## MEA0002C

### Tilting Studio Easel

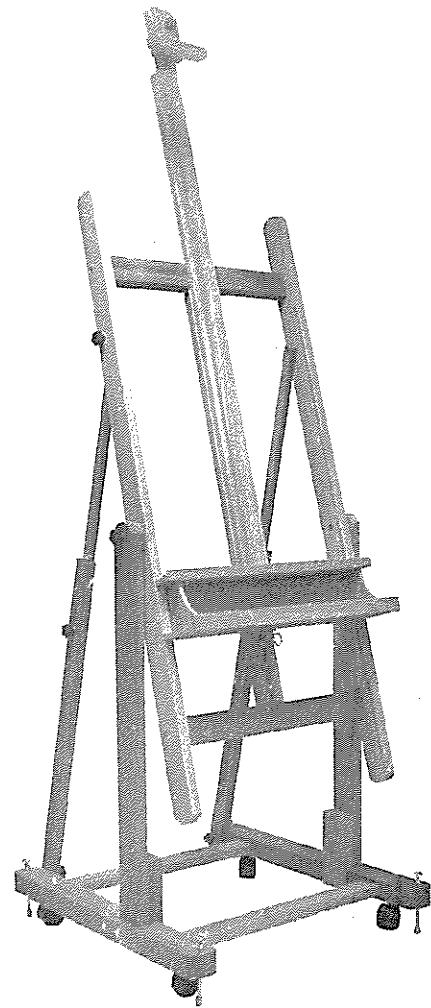
#### Description

Beech Wood  
Width: 65cm  
Length: 70cm  
Height: 160cm-188cm  
Holds Canvas: Up to 200cm

#### Assembly Required

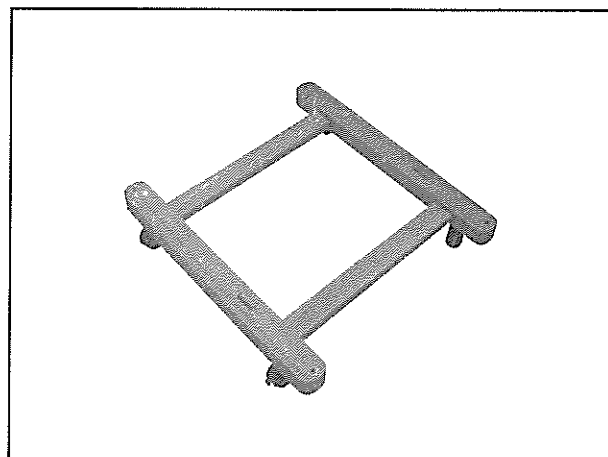


Note: Many steps in assembly require the use of a bolt and barrel nut. Drop nut into shallow hole and insert bolt in from the side and through the barrel nut. Tighten the bolt with the screwdriver.



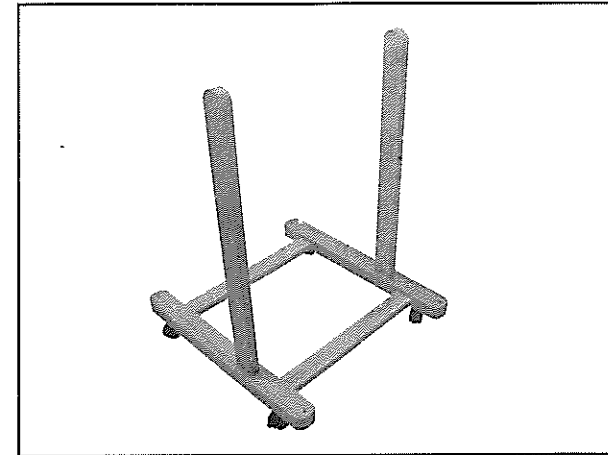
#### Contents

21 Pieces of Wooden Easel Parts  
12 Bags of Screws, Bolts, and Wheels  
1 Set of Instructions  
1 Phillips Head Screwdriver  
1 Allen Key

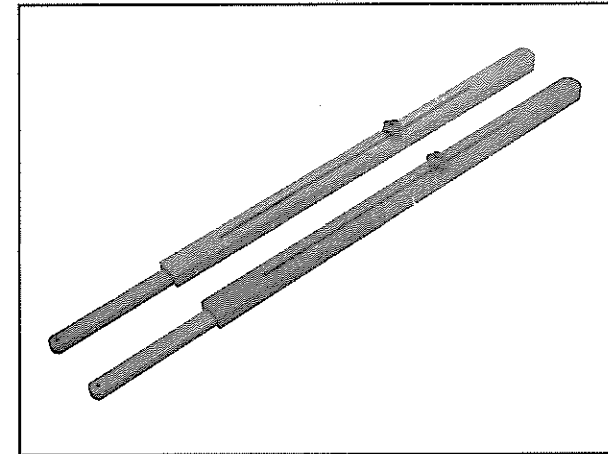


Step 1: Connect parts #1 and #2 to form the base. Turn base upside down and secure using bolts and barrel nuts from bag A. While the base is upside down attach wheels using hardware from bag B.

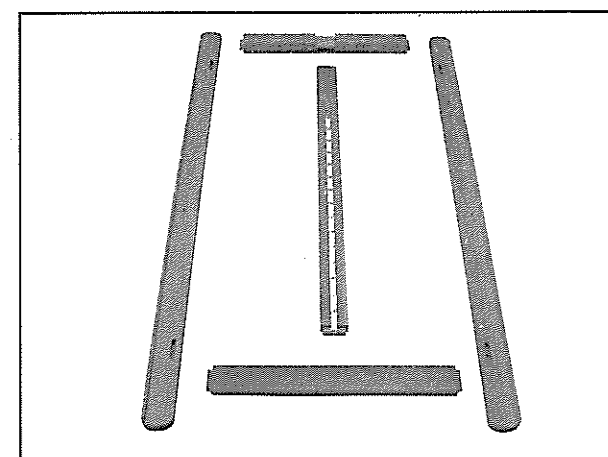
mont marte



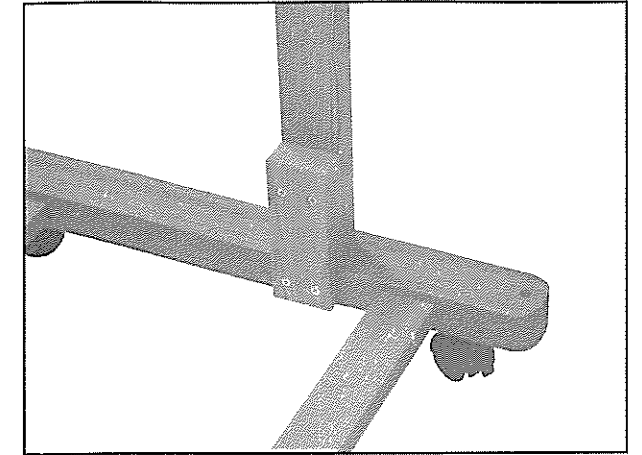
Step 2: Slot parts #3 into easel base with the four metal bolt holes facing each other. Turn easel on the side to drop in barrel nut and insert bolt through the bottom of the easel base. Use bolts and barrel nuts from bag C.



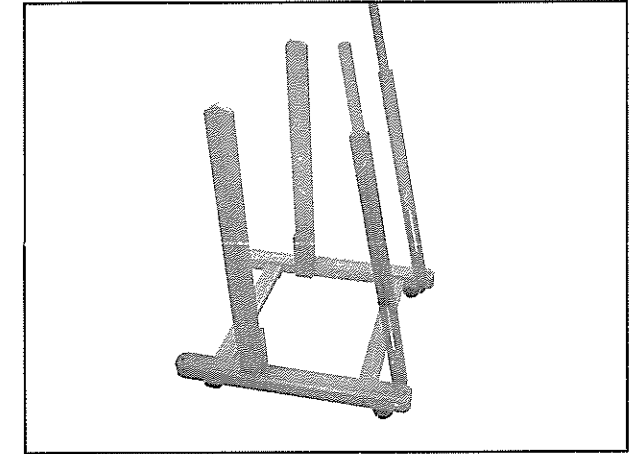
Step 4: Join parts 5a and 5b together as shown with hardware from bag F. Make sure the metal washer is placed under the the large black end.



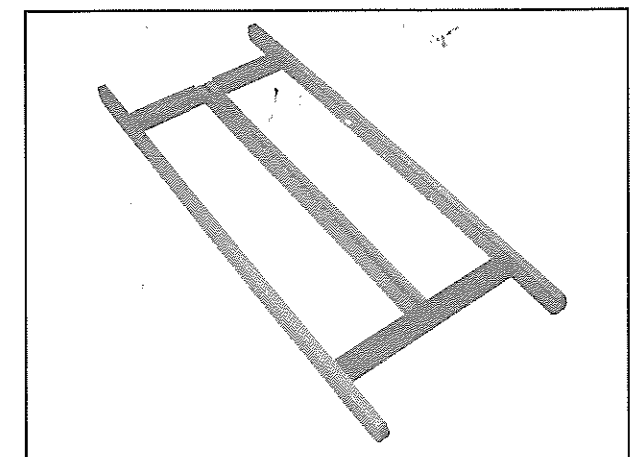
Step 6: Lay out parts #6, #7, #8 and #9 exactly as shown. Make sure part #6 is at the top with the cut out mast guide facing forward. Ensure parts #9 are placed so that the grooves are on the outside and that these grooves finish/exit at the bottom.



Step 3: Fix parts #4 to the inside of parts #3 as shown with bolts from bag D. Insert all four bolts before securing tightly with the allen key.



Step 5: Attach parts #5 to the easel base with the brass plates facing inwards. Use hardware from bag E. Make sure the black plastic ends are placed on the inside edge and the washer is placed under these.



Step 7: Slot these parts together ensuring that the metal strip in part #7 enters into part #8. Turn frame over to fasten from the back with hardware from bag G.